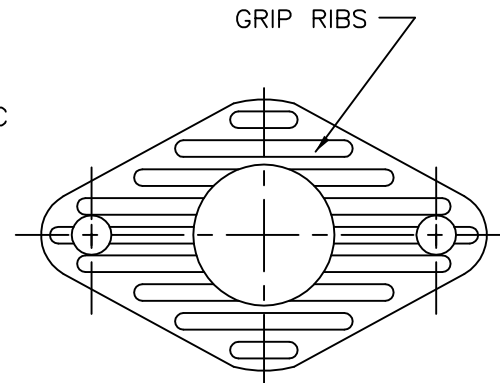
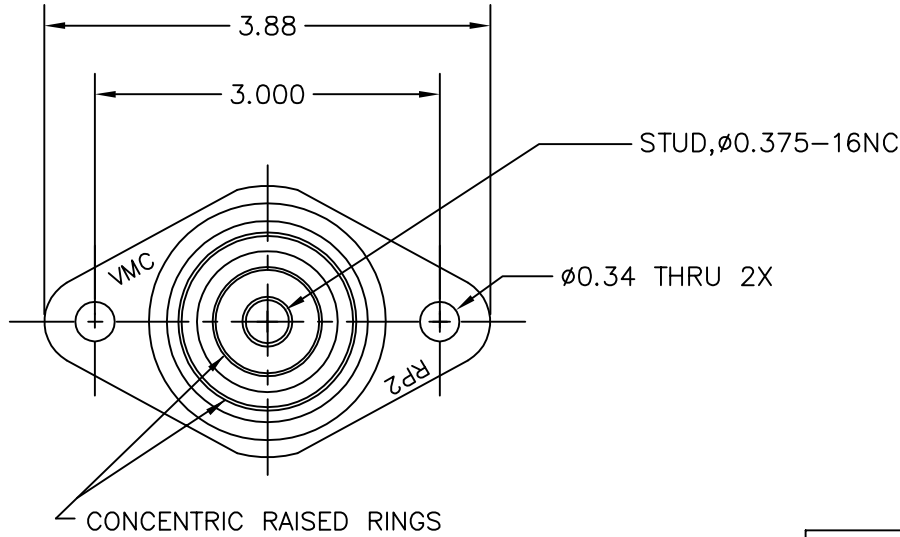


REV.	DESCRIPTION	DATE	BY

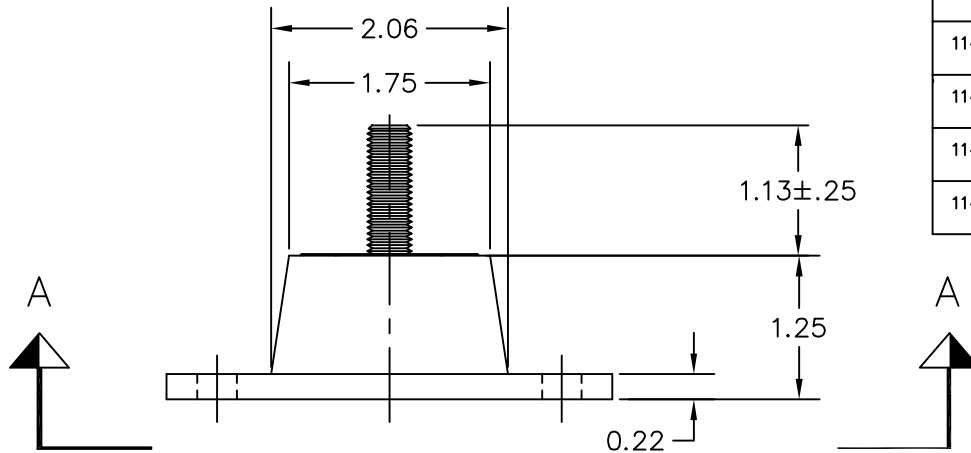


VIEW "A-A"

TABLE 1

PART NUMBER	MODEL	RATED AXIAL LOAD-LBS	DEFLECTION AT RATED LOAD-INCHES
114A-100413-01	RP2-BLUE-WR	135	0.25
114A-100413-02	RP2-BROWN-WR	170	0.25
114A-100413-03	RP2-RED-WR	240	0.25
114A-100413-04	RP2-GREEN-WR	380	0.25
114A-100413-05	RP2-GRAY-WR	790	0.25
114A-100413-06	RP2-PURPLE-WR		0.25

AXIAL TO RADIAL SPRING RATE (K) RATIO 3:1 NOMINAL



NOTES:

1. DIMENSIONS FOR CUSTOMER REFERENCE
2. TABLE 1 IS AVERAGE DESIGN DATA FOR REFERENCE.
3. MOLDED STEEL AND ELASTOMER MOUNT FOR NON-FAIL SAFE, OUTDOOR SERVICE CONDITIONS.
4. CONSULT VMC FOR APPLICABILITY
5. CONTACT VMC FOR APPLICABLE RATED LOAD.

OTHER MATERIALS, COMPOUNDS, OR FINISHES WITH EQUAL OR SUPERIOR PROPERTIES MAY BE SUBSTITUTED AS THEY BECOME AVAILABLE.

CERTIFIED FOR:

JOB NAME: _____
 CUSTOMER : _____
 CUSTOMER P.O.: _____
 SALES ORDER: _____

MODEL RP2 135-790 LBS.
 DURULENE ELASTOMERIC ISOLATOR
 WITH POSITIONING PIN
 0.25 INCH DEFLECTION



THE VMC GROUP
The Power of Together
 Bloomingdale, NJ 07403
 Houston, TX 77041

SCALE :

NONE

SHEET:



DRAWING NO.:

REVISION